

# W 30F 5"

water-cooled



1/4" 28-UNF  
External thread

200 Amp./60% duty cycle (DC)  
180 Amp./60% duty cycle (AC)

# W 30F water-cooled

Equipment: **A** gas lens micro  
**B** gas lens mini

1/4" 28-UNF  
 External thread



Torch body 30910001



Insulator gasket  
 30089001

**A**

**B**



Collet L12mm  
 30 1201 for 1,0/1,6/2,4/3,2  
 Please fill in size



Collet L19mm  
 30 1901 for 1,0/1,6/2,4  
 Please fill in size



Gas lens micro  
 3096 01 for 1,0/1,6/2,4/3,2  
 Please fill in size



Gas lens mini  
 3096 11 for 1,0/1,6/2,4  
 Please fill in size



Ceramic nozzle L10mm Gr.6  
 for gas lens micro  
 30931601



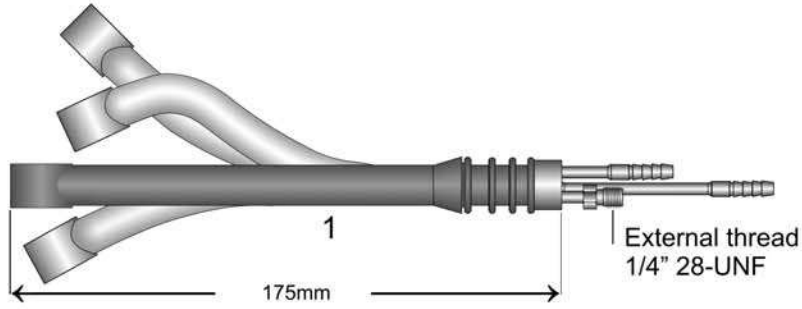
Ceramic nozzle L20mm  
 for gas lens mini  
 Please state size

HSN 746-2

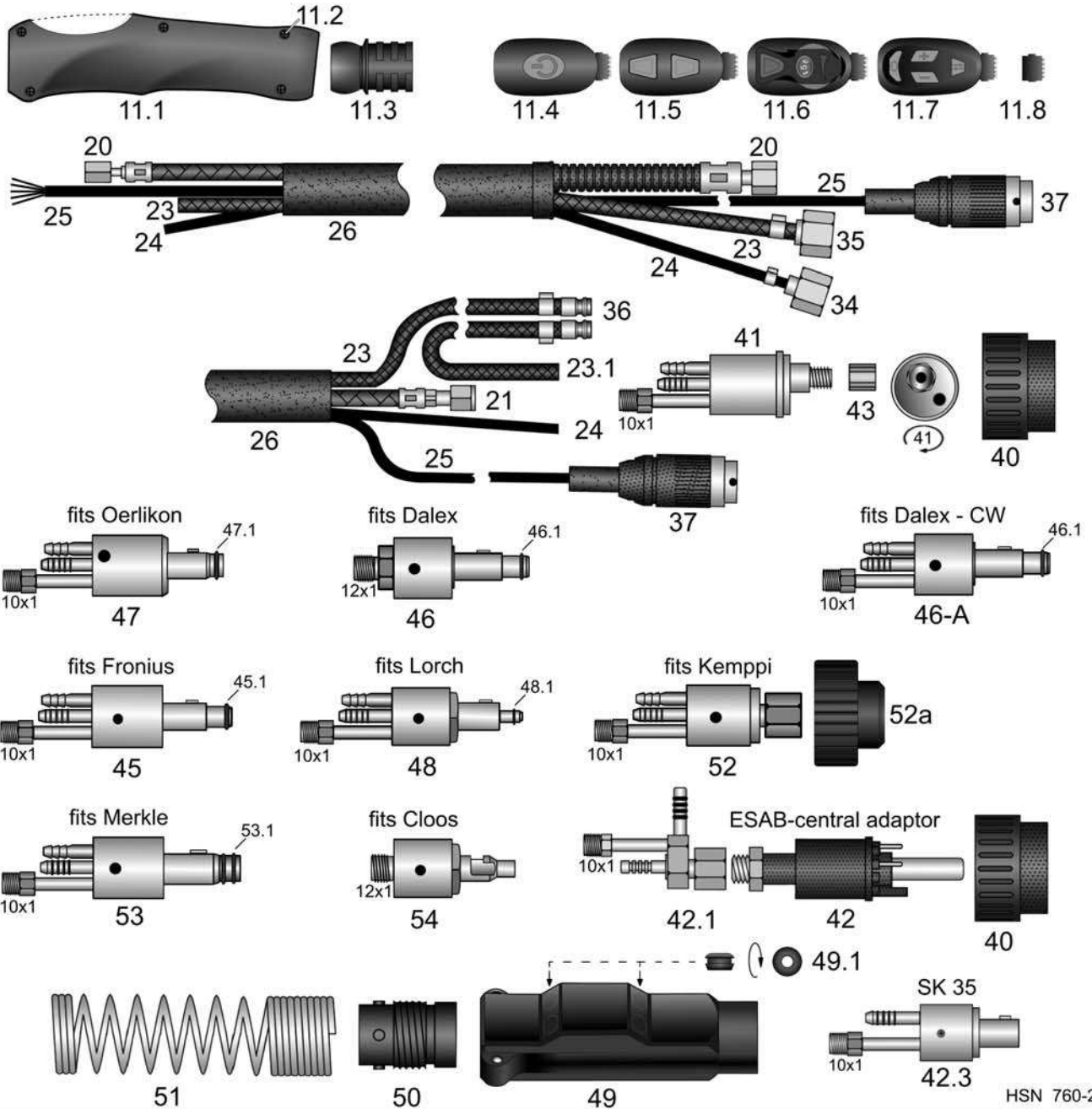
# W 30F 5" water-cooled



200 Ampere at 60% duty cycle (DC) - 180 Ampere at 60% duty cycle (AC)



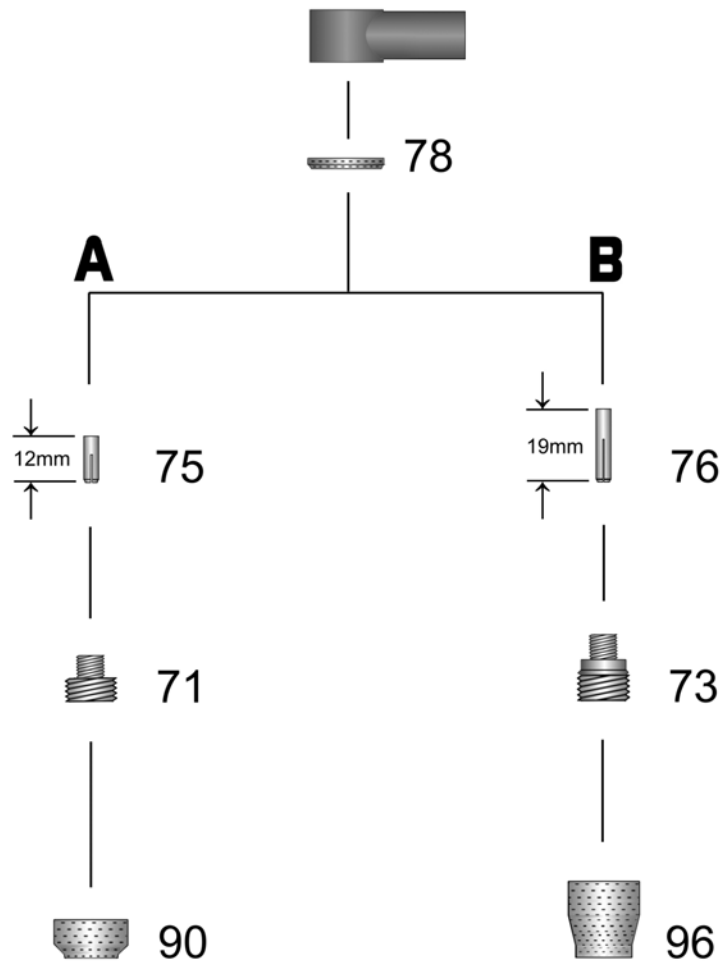
Forma WIG-handle with ball joint and different modular switch units



HSN 760-2



Equipment: **A** gas lens micro  
**B** gas lens mini



## W 30F

### Welding-torch TIG water-cooled with import torch body

220A at 60% duty cycle (DC) - 200A at 60% duty cycle (AC)

#### Art.-No.

Torches with first meter leather hose. Prices without leather on request. Machine side separate connections with Tuchel-plug.

In variation to the torches listed below, the torches can also be produced with other power/ water cables (e.g. HT 180 silicone superflexible). This can also be combined with hoses in a lot of different qualities. Torches and cable assemblies can be produced in excess lengths. Please find the different options and surcharges in the appendix C "Custom made products". We produce torches for more than 40 different brands of machines with different connection systems.

The following torches are equipped with highly flexible and heat resistant rubber fabric hoses.

3010040P FLEX-torch W 30-PLUS / 4m 6mm<sup>2</sup> neck flexible OT-1/4" 28-UNF cable-assembly HT 110

3010080P FLEX-torch W 30-PLUS / 8m 6mm<sup>2</sup> neck flexible OT-1/4" 28-UNF cable-assembly HT 110

TIG-spare cable assemblies, either with separate connections, or for the following connection systems.

wig92402 TIG-spare cable assembly water-cooled 4m - please state desired design!

wig92802 TIG-spare cable assembly water-cooled 8m - please state desired design!

The following machine side connections are only listed for fast price finding purposes. In our catalogue "TIG machine side connections" you'll find technical information specifying a machine side connection.

29002102 Surcharge: machine side power/water plug SK35 bayonet connection AD13mm

29000201 Surcharge: machine side with EURO central adapter

29002109 Surcharge: machine side power/water plug fits Merkle with 2 O-rings

29002106 Surcharge: machine side power/water plug fits Fronius with 1 O-ring

29002101 Surcharge: machine side power/water plug fits Dalex with 1 O-ring

29002108 Surcharge: machine side power/water plug fits Oerlikon with 1 O-ring

29002104 Surcharge: machine side power/water plug fits Lorch SK35 + gas-nipple

29002105 Surcharge: machine side power/water plug fits Kemppi IT-G1/4"

29002110 Surcharge: machine side power/water plug fits Cloos

29000212 Surcharge: machine side fits ESAB central adapter, 4 pins installed at position 3,4,5,6

poti2901 Surcharge: 1 button with additional potentiometer

ud290001 Surcharge: 4 switches > up / down

Please be aware that further surcharges may apply for some special control-line plugs. See appendix D.

1 30910001 Torch body W 30F neck flexible OT-1/4" 28UNF (FLEX)

1.1 30910002 Torch body W 30F neck flexible IT-1/4" 28UNF (FLEX)

9 20008821 Hard fabric handle ID17mm

N.i. 20008811 Countersunk-insulation head screw M4x5

9.1 10089001 Single stroke button (rubber)

9.2 91921301 Doublepush button red/green

N.i. 17089001 One-hole shrinking hose switch sleeve ID39mm - min 13mm

N.i. 17089002 Two-hole shrinking hose switch sleeve ID39mm - min 13mm

11.1 91914601 Forma TIG handle with screws, ball joint, without modular switch unit

11.2 91914602 Forma screw for handle

11.3 91914603 Forma hose bracket with ball joint ID21,5mm (also fits MG-handle)

11.4 91914611 Forma modular switch unit: 1 button with connecting adapter

## W 30F

### Welding-torch TIG water-cooled with import torch body

220A at 60% duty cycle (DC) - 200A at 60% duty cycle (AC)

| <b>Art.-No.</b>  |          |   |
|--|----------|---|
| 11.5   | 91914621 | Forma modular switch unit: 2 buttons with connecting adapter                        |
| 11.6   | 91914631 | Forma modular switch unit: 1 button + potentiometer (10k) with connecting adapter   |
| 11.7   | 91914641 | Forma modular switch unit: 2 buttons + up/down (4 switches) with connecting adapter |
| 11.8   | 91914651 | Forma connecting adapter fits control line to modular switch unit                   |
| N.i.   | 91914661 | Forma switch module safety nipple   |
| <b>Please state the machine side connection for the following power/ water cables.</b>   |          |   |
| <b>For 4m long torches:</b>  |          |   |
| 20   | 20941401 | ST 80 PVC-NIT power/water cable 6mm <sup>2</sup> SR 20 / 4m                         |
| 20   | 20941404 | HT 105 PVC-NIT power/water cable 6mm <sup>2</sup> SR 20 / 4m                        |
| 20   | 20941403 | HT 110 rubber fabric hose power/water cable 6mm <sup>2</sup> SR 20-PLUS / 4m        |
| 20   | 20941405 | HT 130 TPE power/water cable 6mm <sup>2</sup> SR 20 / 4m                            |
| 20   | 20941408 | HT 180 silicone super flexible power/water cable 6mm <sup>2</sup> SR 20 / 4m        |
| <b>For 8m long torches:</b>  |          |   |
| 20   | 20941801 | ST 80 PVC-NIT power/water cable 6mm <sup>2</sup> SR 20 / 8m                         |
| 20   | 20941804 | HT 105 PVC-NIT power/water cable 6mm <sup>2</sup> SR 20 / 8m                        |
| 20   | 20941803 | HT 110 rubber fabric hose power/water cable 6mm <sup>2</sup> SR 20-PLUS / 8m        |
| 20   | 20941805 | HT 130 TPE power/water cable 6mm <sup>2</sup> SR 20 / 8m                            |
| 20   | 20941808 | HT 180 silicone super flexible power/water cable 6mm <sup>2</sup> SR 20 / 8m        |
| <b>The following power/ -water cables are produced with a machine side connection inner thread M10x1 to fit an EURO central adaptor (fits all Holch connection systems with outer thread M10x1).</b> |          |   |
| <b>For 4m long torches:</b>  |          |   |
| 21   | 20941411 | ST 80 PVC-NIT power/water cable 6mm <sup>2</sup> SR 20 / 4m                         |
| 21   | 20941414 | HT 105 PVC-NIT power/water cable 6mm <sup>2</sup> SR 20 / 4m                        |
| 21   | 20941413 | HT 110 rubber fabric hose power/water cable 6mm <sup>2</sup> SR 20-PLUS / 4m        |
| 21   | 20941415 | HT 130 TPE power/water cable 6mm <sup>2</sup> SR 20 / 4m                            |
| 21   | 20941418 | HT 180 silicone super flexible power/water cable 6mm <sup>2</sup> SR 20 / 4m        |
| <b>For 8m long torches:</b>  |          |   |
| 21   | 20941811 | ST 80 PVC-NIT power/water cable 6mm <sup>2</sup> SR 20 / 8m                         |
| 21   | 20941814 | HT 105 PVC-NIT power/water cable 6mm <sup>2</sup> SR 20 / 8m                        |
| 21   | 20941813 | HT 110 rubber fabric hose power/water cable 6mm <sup>2</sup> SR 20-PLUS / 8m        |
| 21   | 20941815 | HT 130 TPE power/water cable 6mm <sup>2</sup> SR 20 / 8m                            |
| 21   | 20941818 | HT 180 silicone super flexible power/water cable 6mm <sup>2</sup> SR 20 / 8m        |
| <b>Reel goods:</b>   |          |   |
| <b>Prices are given per meter and only valid for purchase of complete reels</b>  |          |   |
| 23   | 50150001 | Meter ST 80 PVC-NIT fabric hose ID5,0-W1,5mm blue for water (100m)                  |
| 23   | 51700002 | Meter HT 110 rubber fabric hose ID5,0-W1,7mm blue for water (100m)                  |
| 23.1   | 50151001 | Meter ST 80 PVC-NIT fabric hose ID5,0-W1,5mm red for water (100m)                   |
| 23.1   | 51700003 | Meter HT 110 rubber fabric hose ID5,0-W1,7mm red for water (100m)                   |
| 24   | 31000001 | Meter ST 70 PVC hose ID3,0-W1,0mm black for gas (200m)                              |
| 24   | 51700001 | Meter HT 110 rubber fabric hose ID5,0-W1,7mm black for gas (100m)                   |
| 24   | 31200002 | Meter HT 130 TPE hose ID3-W1,2mm yellow for gas (100m)                              |
| N.i.   | 91902701 | Meter control line 3x0,34mm <sup>2</sup> shielded black (100m)                      |
| N.i.   | 91902711 | Meter control line 3x0,5mm <sup>2</sup> red (100m)                                  |
| 25   | 91902721 | Meter control line 5x0,25mm <sup>2</sup> grey (100m)                                |
| 26   | 20150002 | Meter neoprene protective hose ID20mm black (40m)                                   |

## W 30F

### Welding-torch TIG water-cooled with import torch body

220A at 60% duty cycle (DC) - 200A at 60% duty cycle (AC)

| <b>Art.-No.</b>                                       |          |  |
|---|----------|--|
| 26  | 22150002 | Meter neoprene protective hose ID22mm black (40m)  |
| N.i.  | 91915004 | Leather protective hose ID22mm / 1 meter long  |
| N.i.  | 91915007 | Leather protective hose ID22mm / 1 meter long with ball joint and hose connector                     |
| N.i.  | 91915013 | Hose connector leather protective hose / protection hose ID22,5mm (black) with slot, OD with grooves |
| 34  | 91901501 | Coupling nut IT-G1/4"  |
| N.i.  | 91901211 | Hose connector 4mm fits coupling nut R1/4"   |
| 35  | 91901601 | Coupling nut IT-G3/8"  |
| N.i.  | 91901301 | Hose connector 5mm fits Coupling nut R3/8"   |
| 36  | 91901001 | Cooling liquid plug nipples EURO   |
| N.i.  | 91901008 | Closing cap blue fits cooling liquid plug nipples EURO   |
| N.i.  | 91901009 | Closing cap red fits cooling liquid plug nipples EURO  |
| 37  | 91904101 | Plug 3-poles Tuchel with bayonet-catch   |
| 37  | 91904111 | Plug 5-poles Tuchel with bayonet-catch   |
| <b>More control line plugs please see appendix D.</b> |          |  |
| 40  | 91900701 | Terminal nut insulated fits EURO central adapter   |
| 41  | 91900211 | TIG central adapter EURO central adapter water cooled  |
| 42  | 91900301 | TIG central adapter identical ESAB, 4 contact pins at position 3,4,5,6                               |
| 42.1  | 91918571 | TIG power/cooling liquid junction fits ESAB central adapter  |
| 42.3  | 91918312 | TIG central adapter SK-35 bayonet connection AD13mm  |
| 43  | 91900901 | Swivel nut IT-M10x1 (rounded edges) fits EURO central adapter  |
| 45  | 91918327 | Power/water plug fits Fronius with 1 O-ring (OT-M10x1 / like EURO central adapter)                   |
| 45.1  | 62190001 | O-ring ID6,2-W1,9mm fits Fronius   |
| 46  | 9190417e | Power/water plug fits Dalex (1 O-ring) (OT-12x1)   |
| 46-A  | 9190418n | Power-/gasplug fits Dalex with waterdeviation to outside, CW-System with 1 O-ring                    |
| 46.1  | 63240001 | O-ring ID6,3-W2,4mm fits Dalex   |
| 47  | 9190423n | Power/water plug fits Oerlikon with 1 O-ring (OT-M10x1 / like EURO central adapter)                  |
| 47.1  | 60717801 | O-ring ID6,07-W1,78mm fits Oerlikon  |
| 48  | 9190420n | Power/water plug fits Lorch SK35 + gas-nipple (OT-10x1 / like EURO central adapter)                  |
| 48.1  | 91900801 | O-ring ID4-W1mm fits gas-nipple EURO central adapter   |
| 49  | 91900557 | TIG cable support short with screws (fits water-cooled)  |
| N.i.  | 91920702 | Screw M3x11,5mm fits Ratio/Industry/RAUCH handle and cable support                                   |
| N.i.  | 91920703 | M3 mounting socket fits Ratio/Industry/RAUCH handle and cable support                                |
| o.A.  | 91900602 | Screw M4x6mm fits TIG cable support short  |
| 49.1  | 91901012 | Reduction-eyelet (rubber) from ID10,5mm to ID5mm fits TIG cable support short                        |
| N.i.  | 91921701 | PUR hose ID8,5-W1,0mm 150mm long fits leading water hoses into cable support                         |
| 50  | 91912801 | Spring-socket EURO central adapter   |
| 51  | 91912601 | Cable support spring fits EURO / ESAB central adapter  |
| 52  | 9190419n | Power/water plug fits Kemppi IT-G1/4" (AG-M10x1 / like EURO central adapter)                         |
| 52a   | 91903503 | Insulating sleeve with inner hexagonal shape A/F17 for TIG power-connection IT-G1/4"                 |
| 53  | 9190424n | Power/water plug fits Merkle with 2 O-rings (OT-M10x1 / like EURO central adapter)                   |
| 53.1  | 81600001 | O-ring ID8-W1,6mm fits Lorch/Merkle  |
| 54  | 9190415n | Powerplug fits Cloos (special-plug) (OT-12x1)  |
| o.A.  | 91900552 | TIG cable support long (like MIG-MAG) with screws fits ESAB central adapter                          |

## W 30F

### Welding-torch TIG water-cooled with import torch body

220A at 60% duty cycle (DC) - 200A at 60% duty cycle (AC)

#### Art.-No.

N.i. 91900554 Attachment screw M4x8mm fits ESAB central adapter

71 30961001 Gas lens "Micro" W 30F / 1,0

71 30961601 Gas lens "Micro" W 30F / 1,6

71 30962401 Gas lens "Micro" W 30F / 2,4

73 30961011 Gas lens "Mini" W 30F / 1,0

73 30961611 Gas lens "Mini" W 30F / 1,6

73 30962411 Gas lens "Mini" W 30F / 2,4

#### Collets L-12mm

##### for equipment line (A) micro gaslens

75 30101201 Collet L12mm W 30F / 1,0

75 30161201 Collet L12mm W 30F / 1,6

75 30241201 Collet L12mm W 30F / 2,4

#### Collets L-19mm

##### for equipment line (B) gas lens mini

76 30101901 Collet L19mm W 30F / 1,0

76 30161901 Collet L19mm W 30F / 1,6

76 30241901 Collet L19mm W 30F / 2,4

78 30089001 PTFE-isolator gasket W 30F

#### Ceramic gas nozzle L-10mm

##### for equipment line (A) gas lens micro

90 30931601 Ceramic gas nozzle L10 W30F / Gr.6 fits gas lens "Micro" 53N60ES (pu= 10pieces)

#### Ceramic gas nozzles L-20mm

##### for equipment line (B) gas lens mini

96 17930502 Ceramic gas nozzle L20mm SR 17-18-26 / Gr.5 fits gas lens "Mini" 53N59MS (pu= 10pieces)

96 17930602 Ceramic gas nozzle L20mm SR 17-18-26 / Gr.6 fits gas lens "Mini" 53N60MS (pu= 10pieces)

96 17930702 Ceramic gas nozzle L20mm SR 17-18-26 / Gr.7 fits gas lens "Mini" 53N61MS (pu= 10pieces)

#### Premium tungsten electrodes of 9 different kinds in the appendix A.