

SR 20P

water-cooled



220 Amp./60% duty cycle (DC)
200 Amp./60% duty cycle (AC)

SR 20P water-cooled



- Equipment:
- A** standard
 - B** gas lens
 - C** gas lens medium size
 - D** gas lens jumbo

Brennerkörper 20391501

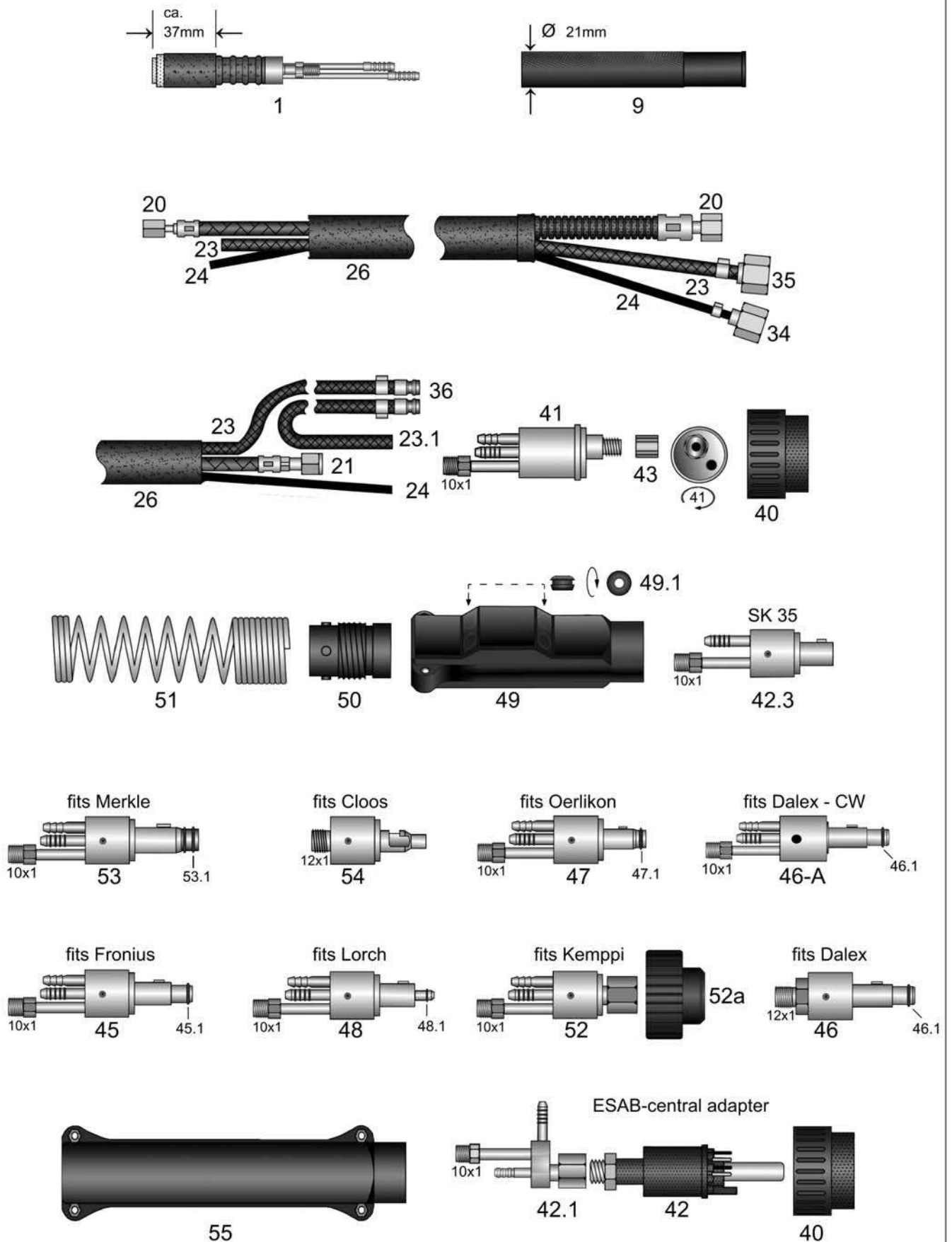


HSN 779



AUT SR 20P water-cooled

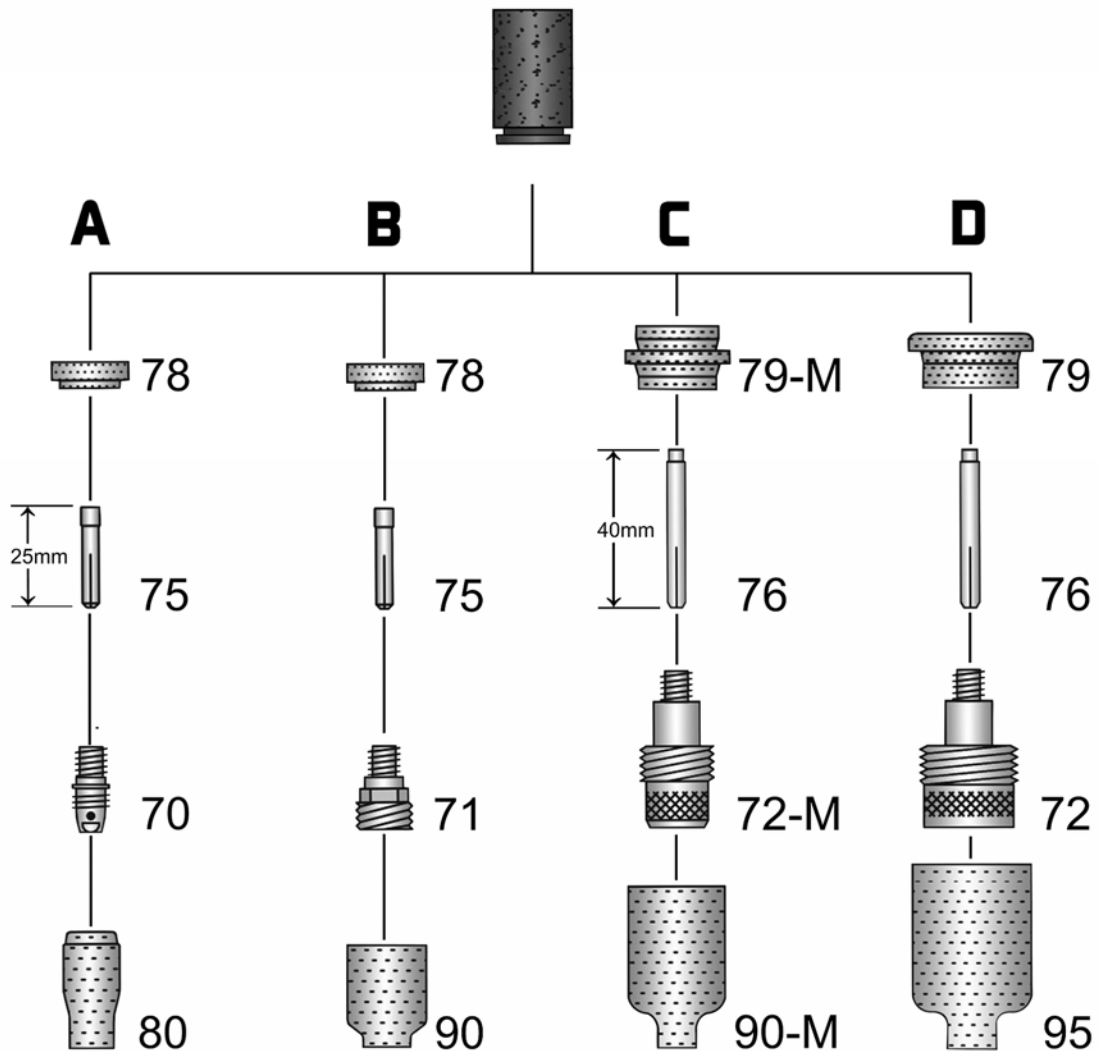
220 Ampere at 60 % duty cycle (DC) - 200 Ampere at 60 % duty cycle (AC)



HSN 767-1



Equipment: **A** standard
B gas lens
C gas lens medium size
D gas lens jumbo



AUT SR 20P

Welding-torch TIG water-cooled with import torch body

220A at 60% duty cycle (DC) - 200A at 60% duty cycle (AC)

Art.-No.

Torches without leatherhose. Machine side separate connections.

In variation to the torches listed below, the torches can also be produced with other power/ water cables (e.g. HT 180 silicone superflexible). This can also be combined with hoses in a lot of different qualities. Torches and cable assemblies can be produced in excess lengths. Please find the different options and surcharges in the appendix C "Custom made products". We produce torches for more than 40 different brands of machines with different connection systems.

The following torches are equipped with highly flexible and heat resistant rubber fabric hoses.

2025040P AUTomatic-torch SR 20P / 4m 6mm² cable-assembly HT 110

2025080P AUTomatic-torch SR 20P / 8m 6mm² cable-assembly HT 110

TIG-spare cable assemblies, either with separate connections, or for the following connection systems.

wig92402 TIG-spare cable assembly water-cooled 4m - please state desired design!

wig92802 TIG-spare cable assembly water-cooled 8m - please state desired design!

The following machine side connections are only listed for fast price finding purposes. In our catalogue "TIG machine side connections" you will find technical information specifying a machine side connection.

29002102 Surcharge: machine side power/water plug SK35 bayonet connection AD13mm

29000201 Surcharge: machine side with EURO central adapter

29002109 Surcharge: machine side power/water plug fits Merkle with 2 O-rings

29002106 Surcharge: machine side power/water plug fits Fronius with 1 O-ring

29002101 Surcharge: machine side power/water plug fits Dalex with 1 O-ring

29002108 Surcharge: machine side power/water plug fits Oerlikon with 1 O-ring

29002104 Surcharge: machine side power/water plug fits Lorch SK35 + gas-nipple

29002105 Surcharge: machine side power/water plug fits Kemppi IT-G1/4"

29002110 Surcharge: machine side power/water plug fits Cloos

29000212 Surcharge: machine side fits ESAB central adapter, 4 pins installed at position 3,4,5,6

1 20391501 AUTomatic-torch body SR 20P head straight

9 17108803 Import handling-tube H-100 SR 9-17-20 ID16,5mm

**Please state the machine side connection for the following power/ water cables.
For 4m long torches:**

20 20941401 ST 80 PVC-NIT power/water cable 6mm² SR 20 / 4m

20 20941404 HT 105 PVC-NIT power/water cable 6mm² SR 20 / 4m

20 20941403 HT 110 rubber fabric hose power/water cable 6mm² SR 20-PLUS / 4m

20 20941405 HT 130 TPE power/water cable 6mm² SR 20 / 4m

20 20941408 HT 180 silicone super flexible power/water cable 6mm² SR 20 / 4m

For 8m long torches:

20 20941801 ST 80 PVC-NIT power/water cable 6mm² SR 20 / 8m

20 20941804 HT 105 PVC-NIT power/water cable 6mm² SR 20 / 8m

20 20941803 HT 110 rubber fabric hose power/water cable 6mm² SR 20-PLUS / 8m

20 20941805 HT 130 TPE power/water cable 6mm² SR 20 / 8m

20 20941808 HT 180 silicone super flexible power/water cable 6mm² SR 20 / 8m

AUT SR 20P

Welding-torch TIG water-cooled with import torch body

220A at 60% duty cycle (DC) - 200A at 60% duty cycle (AC)

Art.-No.

The following power/ -water cables are produced with a machine side connection inner thread M10x1 to fit an EURO central adaptor (fits all Holch connection systems with outer thread M10x1).

For 4m long torches:

21	20941411	ST 80 PVC-NIT power/water cable 6mm ² SR 20 / 4m
21	20941414	HT 105 PVC-NIT power/water cable 6mm ² SR 20 / 4m
21	20941413	HT 110 rubber fabric hose power/water cable 6mm ² SR 20-PLUS / 4m
21	20941415	HT 130 TPE power/water cable 6mm ² SR 20 / 4m
21	20941418	HT 180 silicone super flexible power/water cable 6mm ² SR 20 / 4m

For 8m long torches:

21	20941811	ST 80 PVC-NIT power/water cable 6mm ² SR 20 / 8m
21	20941814	HT 105 PVC-NIT power/water cable 6mm ² SR 20 / 8m
21	20941813	HT 110 rubber fabric hose power/water cable 6mm ² SR 20-PLUS / 8m
21	20941815	HT 130 TPE power/water cable 6mm ² SR 20 / 8m
21	20941818	HT 180 silicone super flexible power/water cable 6mm ² SR 20 / 8m

Reel goods:

Prices are given per meter and only valid for purchase of complete reels

23	50150001	Meter ST 80 PVC-NIT fabric hose ID5,0-W1,5mm blue for water (100m)
23	51700002	Meter HT 110 rubber fabric hose ID5,0-W1,7mm blue for water (100m)
23.1	50151001	Meter ST 80 PVC-NIT fabric hose ID5,0-W1,5mm red for water (100m)
23.1	51700003	Meter HT 110 rubber fabric hose ID5,0-W1,7mm red for water (100m)
24	31000001	Meter ST 70 PVC hose ID3,0-W1,0mm black for gas (200m)
24	51700001	Meter HT 110 rubber fabric hose ID5,0-W1,7mm black for gas (100m)
24	31200002	Meter HT 130 TPE hose ID3-W1,2mm yellow for gas (100m)

N.i.	91902701	Meter control line 3x0,34mm ² shielded black (100m)
N.i.	91902711	Meter control line 3x0,5mm ² red (100m)
N.i.	91902721	Meter control line 5x0,25mm ² grey (100m)
26	20150002	Meter neoprene protective hose ID20mm black (40m)
26	22150002	Meter neoprene protective hose ID22mm black (40m)

34	91901501	Coupling nut IT-G1/4"
N.i.	91901211	Hose connector 4mm fits coupling nut R1/4"
35	91901601	Coupling nut IT-G3/8"
N.i.	91901301	Hose connector 5mm fits Coupling nut R3/8"
36	91901001	Cooling liquid plug nipples EURO
N.i.	91901008	Closing cap blue fits cooling liquid plug nipples EURO
N.i.	91901009	Closing cap red fits cooling liquid plug nipples EURO

40	91900701	Terminal nut insulated fits EURO central adapter
41	91900211	TIG central adapter EURO central adapter water cooled
42	91900301	TIG central adapter identical ESAB, 4 contact pins at position 3,4,5,6
42.1	91918571	TIG power/cooling liquid junction fits ESAB central adapter
42.3	91918312	TIG central adapter SK-35 bayonet connection AD13mm
43	91900901	Swivel nut IT-M10x1 (rounded edges) fits EURO central adapter

45	91918327	Power/water plug fits Fronius with 1 O-ring (OT-M10x1 / like EURO central adapter)
45.1	62190001	O-ring ID6,2-W1,9mm fits Fronius
46	9190417e	Power/water plug fits Dalex (1 O-ring) (OT-12x1)
46-A	9190418n	Power-/gasplug fits Dalex with waterdeviation to outside, CW-System with 1 O-ring

AUT SR 20P

Welding-torch TIG water-cooled with import torch body

220A at 60% duty cycle (DC) - 200A at 60% duty cycle (AC)

Art.-No.		
46.1	63240001	O-ring ID6,3-W2,4mm fits Dalex
47	9190423n	Power/water plug fits Oerlikon with 1 O-ring (OT-M10x1 / like EURO central adapter)
47.1	60717801	O-ring ID6,07-W1,78mm fits Oerlikon
48	9190420n	Power/water plug fits Lorch SK35 + gas-nipple (OT-10x1 / like EURO central adapter)
48.1	91900801	O-ring ID4-W1mm fits gas-nipple EURO central adapter
49	91900557	TIG cable support short with screws (fits water-cooled)
N.i.	91920702	Screw M3x11,5mm fits Ratio/Industry/RAUCH handle and cable support
N.i.	91920703	M3 mounting socket fits Ratio/Industry/RAUCH handle and cable support
o.A.	91900602	Screw M4x6mm fits TIG cable support short
49.1	91901012	Reduction-eyelet (rubber) from ID10,5mm to ID5mm fits TIG cable support short
N.i.	91921701	PUR hose ID8,5-W1,0mm 150mm long fits leading water hoses into cable support
50	91912801	Spring-socket EURO central adapter
51	91912601	Cable support spring fits EURO / ESAB central adapter
52	9190419n	Power/water plug fits Kemppi IT-G1/4" (AG-M10x1 / like EURO central adapter)
52a	91903503	Insulating sleeve with inner hexagonal shape A/F17 for TIG power-connection IT-G1/4"
53	9190424n	Power/water plug fits Merkle with 2 O-rings (OT-M10x1 / like EURO central adapter)
53.1	81600001	O-ring ID8-W1,6mm fits Lorch/Merkle
54	9190415n	Powerplug fits Cloos (special-plug) (OT-12x1)
55	91900552	TIG cable support long (like MIG-MAG) with screws fits ESAB central adapter
N.i.	91900554	Attachment screw M4x8mm fits ESAB central adapter
70	20961002	Collet body 9-20 / 1,0 13N26
70	20961602	Collet body 9-20 / 1,6 13N27
70	20962402	Collet body 9-20 / 2,4 13N28
70	20963202	Collet body 9-20 / 3,2 13N29
71	20961011	Gas lens 9-20 / 1,0 45V42
71	20961611	Gas lens 9-20 / 1,6 45V43
71	20962411	Gas lens 9-20 / 2,4 45V44
71	20963211	Gas lens 9-20 / 3,2 45V45
72-M	20961031	Gas lens medium 9-20 / 1,0
72-M	20961631	Gas lens medium 9-20 / 1,6
72-M	20962431	Gas lens medium 9-20 / 2,4
72-M	20963231	Gas lens medium 9-20 / 3,2
72	20961021	Jumbo-Gas lens 9-20 / 1,0 45V0204S
72	20961621	Jumbo-Gas lens 9-20 / 1,6 45V116S
72	20962421	Jumbo-Gas lens 9-20 / 2,4 45V64S
72	20963221	Jumbo-Gas lens 9-20 / 3,2 995795S
Brazen collets L-25mm		
for equipment line (A) standard collet		
for equipment line (B) gas lens		
75	20102502	Collet L25mm 9-20 / 1,0 13N21
75	20162502	Collet L25mm 9-20 / 1,6 13N22
75	20242502	Collet L25mm 9-20 / 2,4 13N23
75	20322502	Collet L25mm 9-20 / 3,2 13N24

AUT SR 20P

Welding-torch TIG water-cooled with import torch body

220A at 60% duty cycle (DC) - 200A at 60% duty cycle (AC)

Art.-No.

Brazen collets L-40mm for equipment line (C) gas lens midsize for equipment line (D) Jumbo gas lens

76	20104011	Collet L40mm 9-20 / 1,0 13N21L
76	20164011	Collet L40mm 9-20 / 1,6 13N22L
76	20244011	Collet L40mm 9-20 / 2,4 13N23L
76	20324011	Collet L40mm 9-20 / 3,2 13N24L

78	20089011	PTFE-isolator gasket 9-20
79-M	20089031	PTFE-gas lens isolator medium 9-20
79	20089021	PTFE-gas lens isolator Jumbo 9-20 54N63-20

Ceramic gas nozzles in different lengths for equipment line (A) standard collet body

80	20930401	Ceramic gas nozzle L30mm / Gr. 4 13N08 (pu= 10pieces)
80	20930501	Ceramic gas nozzle L30mm / Gr. 5 13N09 (pu= 10pieces)
80	20930601	Ceramic gas nozzle L30mm / Gr. 6 13N10 (pu= 10pieces)
80	20930701	Ceramic gas nozzle L30mm / Gr. 7 13N11 (pu= 10pieces)
80	20930801	Ceramic gas nozzle L30mm / Gr. 8 13N12 (pu= 10pieces)
80	20930101	Ceramic gas nozzle L30mm / Gr.10 13N13 (pu= 10pieces)

N.i.	20930304	Ceramic gas nozzle L48mm / Gr. 3 796F70 (pu= 10pieces)
N.i.	20930404	Ceramic gas nozzle L48mm / Gr. 4 796F71 (pu= 10pieces)
N.i.	20930504	Ceramic gas nozzle L48mm / Gr. 5 796F72 (pu= 10pieces)
o.A	20930604	Ceramic gas nozzle L48mm / Gr. 6 796F73 (pu= 10pieces)

N.i.	20930306	Ceramic gas nozzle L63mm / Gr. 3 796F74 (pu= 10pieces)
N.i.	20930406	Ceramic gas nozzle L63mm / Gr. 4 796F75 (pu= 10pieces)
N.i.	20930506	Ceramic gas nozzle L63mm / Gr. 5 796F76 (pu= 10pieces)
N.i.	20930606	Ceramic gas nozzle L63mm / Gr. 6 796F77 (pu= 10pieces)

N.i.	20930408	Ceramic gas nozzle L89mm / Gr. 4 796F79 (pu= 10pieces)
------	----------	--

Ceramic gas nozzles in different lengths for equipment line (B) gas lens

90	20931401	Ceramic gas nozzle for gas lens L25,5mm 9-20 / Gr.4 53N58 (pu= 10pieces)
90	20931501	Ceramic gas nozzle for gas lens L25,5mm 9-20 / Gr.5 53N59 (pu= 10pieces)
90	20931601	Ceramic gas nozzle for gas lens L25,5mm 9-20 / Gr.6 53N60 (pu= 10pieces)
90	20931701	Ceramic gas nozzle for gas lens L25,5mm 9-20 / Gr.7 53N61 (pu= 10pieces)
90	20931801	Ceramic gas nozzle for gas lens L25,5mm 9-20 / Gr.8 53N61-S (pu= 10pieces)

N.i.	20931404	Ceramic gas nozzle for gas lens L35mm 9-20 / Gr.4 53N58L (pu= 10pieces)
N.i.	20931504	Ceramic gas nozzle for gas lens L35mm 9-20 / Gr.5 53N59L (pu= 10pieces)
N.i.	20931604	Ceramic gas nozzle for gas lens L35mm 9-20 / Gr.6 53N60L (pu= 10pieces)
N.i.	20931704	Ceramic gas nozzle for gas lens L35mm 9-20 / Gr.7 53N61L (pu= 10pieces)

N.i.	20931406	Ceramic gas nozzle for gas lens L72mm 9-20 / Gr.4 53N58XL (pu= 10pieces)
N.i.	20931506	Ceramic gas nozzle for gas lens L72mm 9-20 / Gr.5 53N59XL (pu= 10pieces)
N.i.	20931606	Ceramic gas nozzle for gas lens L72mm 9-20 / Gr.6 53N60XL (pu= 10pieces)
N.i.	20931706	Ceramic gas nozzle for gas lens L72mm 9-20 / Gr.7 53N61XL (pu= 10pieces)
N.i.	20931806	Ceramic gas nozzle for gas lens L72mm 9-20 / Gr.8 53N61SXL (pu= 10pieces)

AUT SR 20P

Welding-torch TIG water-cooled with import torch body

220A at 60% duty cycle (DC) - 200A at 60% duty cycle (AC)

Art.-No.

Ceramic gas nozzles in different lengths for equipment line (C) midsize gas lens

90-M	22093041	Gas nozzle for gas lens L42mm / Gr.4 54N18	(pu= 10pieces)
90-M	22093051	Gas nozzle for gas lens L42mm / Gr.5 54N17	(pu= 10pieces)
90-M	22093061	Gas nozzle for gas lens L42mm / Gr.6 54N16	(pu= 10pieces)
90-M	22093071	Gas nozzle for gas lens L42mm / Gr.7 54N15	(pu= 10pieces)
90-M	22093081	Gas nozzle for gas lens L42mm / Gr.8 54N14	(pu= 10pieces)
90-M	22093111	Gas nozzle for gas lens L42mm / Gr.11 54N19-11	(pu= 10pieces)
90-M	22093121	Gas nozzle for gas lens L42mm / Gr.12 54N19	(pu= 10pieces)

N.i.	22093054	Gas nozzle for gas lens L76mm / Gr.5 54N17L	(pu= 10pieces)
N.i.	22093064	Gas nozzle for gas lens L76mm / Gr.6 54N16L	(pu= 10pieces)
N.i.	22093074	Gas nozzle for gas lens L76mm / Gr.7 54N15L	(pu= 10pieces)

Ceramic gas nozzles Jumbo in different lengths for equipment line (D) Jumbo gas lens

95	22093066	Jumbo gas nozzle L48mm / Gr.6 57N75	(pu= 10pieces)
95	22093086	Jumbo gas nozzle L48mm / Gr.8 57N74	(pu= 10pieces)
95	22093106	Jumbo gas nozzle L48mm / Gr.10 53N88	(pu= 10pieces)
95	22093126	Jumbo gas nozzle L48mm / Gr.12 53N87	(pu= 10pieces)

N.i.	22093067	Jumbo gas nozzle L73mm / Gr.6 57N75L	(pu= 10pieces)
N.i.	22093087	Jumbo gas nozzle L73mm / Gr.8 57N74L	(pu= 10pieces)
N.i.	22093107	Jumbo gas nozzle L73mm / Gr.10 53N88L	(pu= 10pieces)
N.i.	22093127	Jumbo gas nozzle L73mm / Gr.12 53N87L	(pu= 10pieces)

Premium tungsten electrodes of 9 different kinds in the appendix A.