

MHS Mikro-201(2)

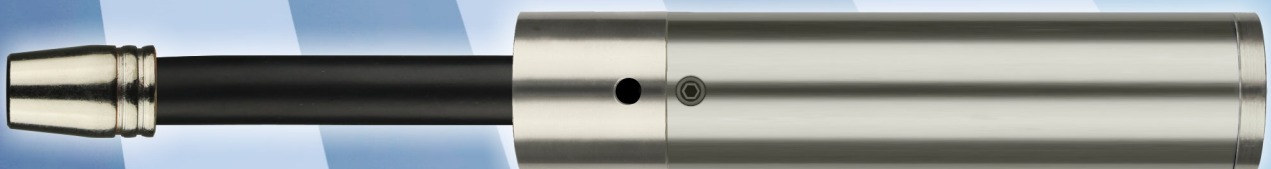
with screwable gas nozzle
water-cooled



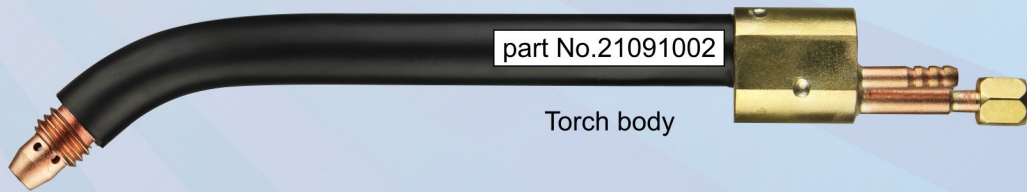
260 Amp./50% duty cycle (CO₂)
240 Amp./50% duty cycle (mixed gas)

Spare parts like:

MHS Mikro-21(2) gas-cooled



MHS Mikro-201(2) with screwable gas nozzle water-cooled



Gas nozzle conical ID12,5 mm
part No. 20193002



Contact tip M6 - L 15mm
part No. 615□401(CuCrZr)
□ Please fill in wire diameter



Ball joint
part No. 91912704



Ratio-handle with ball joint
part No. 91912534



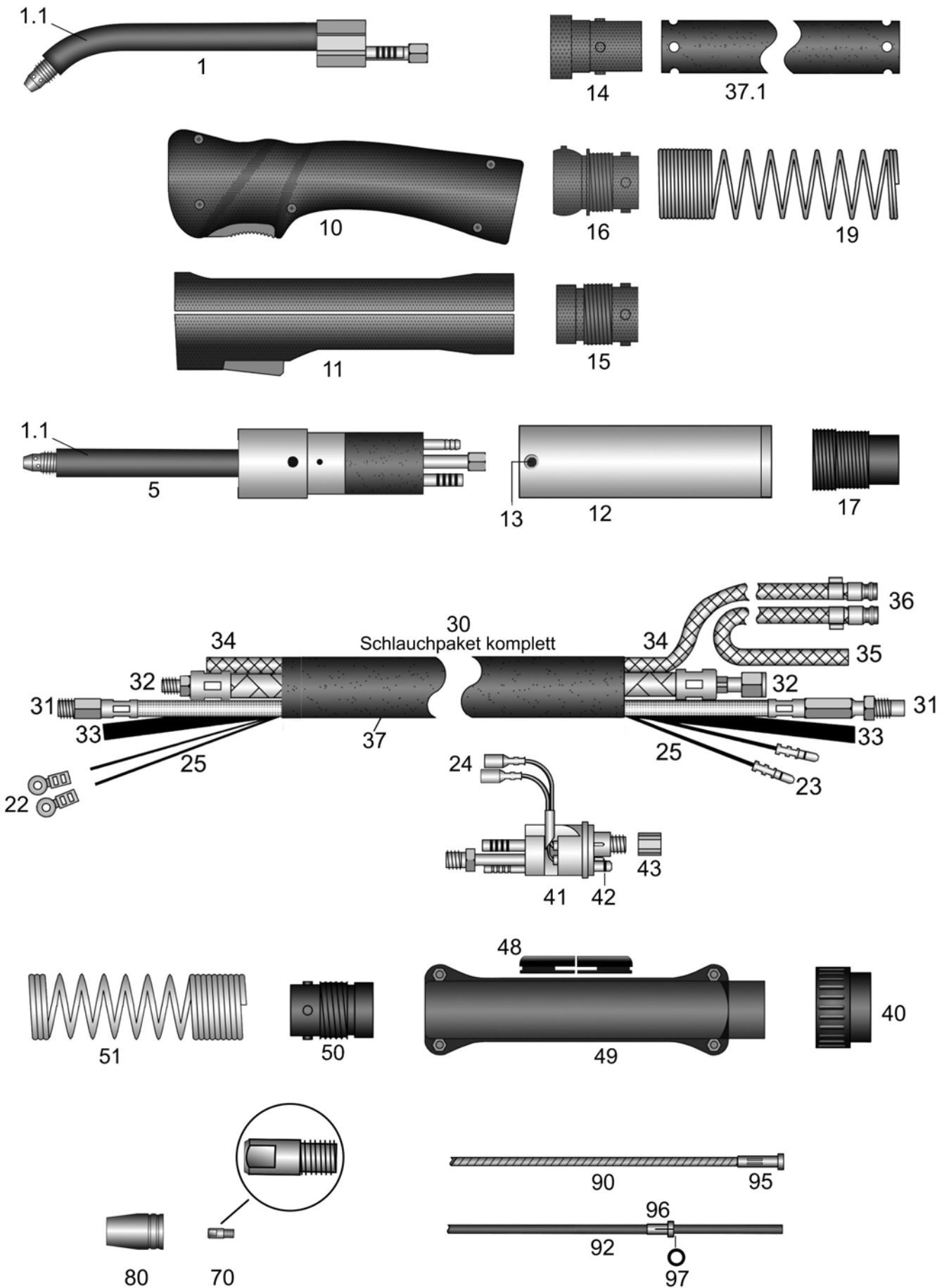
Industry-handle with ball joint
part No. 91912101

HSN 968



MHS Mikro-201(2) water-cooled

260 Ampere at 50% duty cycle(CO₂) - 240 Ampere at 50% duty cycle(mixed gas)



HSN 967

MHS Mikro-201(2)

Welding-torch MIG-MAG water-cooled

260A at 50% duty cycle (CO₂) - 240A at 50% duty cycle (mixed gas)

Art.-No.

Spare parts as torch MHS Mikro-21(2) gas-cooled

20100312	Torch MHS Mikro-201(2) / 3m EURO central adapter
20100412	Torch MHS Mikro-201(2) / 4m EURO central adapter
20100512	Torch MHS Mikro-201(2) / 5m EURO central adapter
20150312	AUTomatic-torch MHS Mikro-201(2) / 3m EURO central adapter

**For torches without EURO central-adaptor the following prices apply.
Please note that for some special machine side connections surcharges may arise,
which you will find in the appendix "A" custom made products.**

20100302	Torch MHS Mikro-201(2) / 3m
20100402	Torch MHS Mikro-201(2) / 4m
20100502	Torch MHS Mikro-201(2) / 5m
20150302	AUTomatic-torch MHS Mikro-201(2) / 3m

**Special lengths for hand- and AUTomatic-torches
please notice appendix "B".**

**Torches with flexible and highly heat resistant cable assemblies available for small
surcharges! Please see appendix "B"**

pg000001	Surcharge: Pistol-shape-handle / stabilizer
N.i. 91912453	Heat protection shield for pistol handle, screws included
91900102	Adapter EURO central adapter fits power source with Dinse central adapter

**Torch body and AUTomatic torch body with contact tip CuCrZr 1,0 nickel coated
and gas nozzle conical-ID12,5mm.**

Not included: additional silicone/glass insulating hose (20191021)

1	20191002	Torch-body MHS Mikro-201(2)
1.1	s2480200	Section of insulation shrinking hose
5	20191502	AUTomatic-torch body MHS Mikro-201(2)
N.i.	20191021	Section of silicone/glas insulating hose ID12,6-L125mm heat resistant up to 200°C

**Handles complete with switch and screws
Ball joints or sockets are also included**

10	91912534	Ratio-handle 16mm with ball joint
10	91912434	Ratio-handle 16mm (**without ball joint**)
N.i.	91912438	Ratio microswitch DC2
N.i.	91912439	Push button red for Ratio handle also fits RAUCH handle
N.i.	91912441	Spring fits button Ratio grip handle and RAUCH grip handle
11	91912101	Industry-handle 16mm with ball joint
11	91912231	Industry-handle 16mm (**without ball joint**)
N.i.	91920411	Switch-set fits industry-handle for 16/18/20mm (11 parts)
N.i.	91920702	Screw M3x11,5mm fits Ratio/Industry/RAUCH handle and cable support
N.i.	91920703	M3 mounting socket fits Ratio/Industry/RAUCH handle and cable support

12	91912921	AUT handle tube, brass-cladded AD38mm for AUT-torch standard
13	91912911	Holding screw M4x6mm for AUT handle tube OD38mm

14	50191251	Rubber cable-support RETRO
----	----------	----------------------------

MHS Mikro-201(2)

Welding-torch MIG-MAG water-cooled

260A at 50% duty cycle (CO₂) - 240A at 50% duty cycle (mixed gas)

Art.-No.		
15	91912701	Spring socket pistol side fits handle without ball joint
16	91912704	Spring socket pistol side fits handle with ball joint
17	91912711	AUT spring socket
19	91912501	Cable support spring pistol-side fits water-cooled torches
N.i.	91912511	AUT cable support spring (long design)
N.i.	91912521	AUT suspension spring
N.i.	91912531	AUT carabiner
N.i.	10089001	Single stroke button (rubber)
22	91902811	Cable-plug fits industry-handle
23	91902901	Male connector cable-plug for machine side EURO central adapter
24	91903001	Female connector cable-plug fits machine side EURO central adapter
25	91902423	Meter control line 2x0,75mm ² red free of halogen (100m)
Spare cable-assemblies complete with cable support springs and fittings. Fits handles with or without ball joint - please specify!		
30	09200312	Spare cable assembly 3m / without EURO central adapter
30	09200412	Spare cable assembly 4m / without EURO central adapter
30	09200512	Spare cable assembly 5m / without EURO central adapter
Supply lines and thermo-hoses, superflexible and highly heat resistant please see appendix "C" and "D"		
31	0950a311	Wire conduit flexible MHS / 3m EURO central adapter (flexible)
31	0950a411	Wire conduit flexible MHS / 4m EURO central adapter (flexible)
31	0950a511	Wire conduit flexible MHS / 5m EURO central adapter (flexible)
32	09400311	ST 80 PVC-NIT power/water cable MHS / 3m EURO central adapter
32	09400411	ST 80 PVC-NIT power/water cable MHS / 4m EURO central adapter
32	09400511	ST 80 PVC-NIT power/water cable MHS / 5m EURO central adapter
Supply lines for AUTomatic torches.		
31	0950d311	AUT wire conduit MHS / 3m EURO central adapter white (hard)
32	09400313	HT 110 rubber fabric hose power/water cable MHS / 3m EURO central adapter
Reel goods: Prices are per meter and only applicable if a complete reel is purchased.		
33	41500001	Meter ST 70 PVC hose ID4,0-W1,5mm black for gas (100m)
34	50170001	Meter ST 80 PVC-NIT fabric hose ID5,0-W1,7mm blue for water (100m) robust model, thick-walled and non-buckling
35	50171001	Meter ST 80 PVC-NIT fabric hose ID5,0-W1,7mm red for water (100m) robust model, thick-walled and non-buckling
36	91901001	Cooling liquid plug nipples EURO
N.i.	91901008	Closing cap blue fits cooling liquid plug nipples EURO
N.i.	91901009	Closing cap red fits cooling liquid plug nipples EURO
37	25151001	Meter rubberized fabric protective hose ID25-W1,5mm (40m)
37.1	25151311	Rubberized fabric protective hose ID25-W1,5mm perforated fits 3m / EURO central adapter
37.1	25151411	Rubberized fabric protective hose ID25-W1,5mm perforated fits 4m / EURO central adapter
37.1	25151511	Rubberized fabric protective hose ID25-W1,5mm perforated fits 5m / EURO central adapter

MHS Mikro-201(2)

Welding-torch MIG-MAG water-cooled

260A at 50% duty cycle (CO₂) - 240A at 50% duty cycle (mixed gas)

Art.-No.		
40	91900701	Terminal nut insulated fits EURO central adapter
41	91900201	Central adapter fixed contact-pins EURO central adapter
41	91900206	Central adapter spring contact-pins EURO central adapter
42	91900801	O-ring ID4-W1mm fits gas-nipple EURO central adapter
43	91900901	Swivel nut IT-M10x1 (rounded edges) fits EURO central adapter
48	91901011	Rubber-hose-fence fits cable support
49	91900561	Cable support machine side (screws included) fits EURO central adapter
N.i.	91920702	Screw M3x11,5mm fits Ratio/Industry/RAUCH handle and cable support
N.i.	91920703	M3 mounting socket fits Ratio/Industry/RAUCH handle and cable support
N.i.	91900601	Attachment screw M4x6mm fits cable support EURO central adapter
50	91912801	Spring-socket fits cable support
51	91912601	Cable support spring
70	61508401	Contact tip M6-L15mm 0,8 CuCrZr nickel-plated
70	61510401	Contact tip M6-L15mm 1,0 CuCrZr nickel-plated
70	61512401	Contact tip M6-L15mm 1,2 CuCrZr nickel-plated
80	20193002	Gas nozzle conical-ID12,5mm L32mm
Spirals and liners also available in other sizes on inquiry!		
90	19390311	Guide spiral-liner ID1,9-AD3,9 fits 3m / EURO central adapter
90	19390411	Guide spiral-liner ID1,9-AD3,9 fits 4m / EURO central adapter
90	19390511	Guide spiral-liner ID1,9-AD3,9 fits 5m / EURO central adapter
92	20393311	PTFE-carbon core liner ID2,0-AD3,9 fits 3m / EURO central adapter
92	20393411	PTFE-carbon core liner ID2,0-AD3,9 fits 4m / EURO central adapter
92	20393511	PTFE-carbon core liner ID2,0-AD3,9 fits 5m / EURO central adapter
92	20406311	Carbon-PA core liner ID2,0-AD4,0 fits 3m / EURO central adapter
92	20406411	Carbon-PA core liner ID2,0-AD4,0 fits 4m / EURO central adapter
92	20406511	Carbon-PA core liner ID2,0-AD4,0 fits 5m / EURO central adapter
92	20404311	ULTRA-liner (brown) ID2,0-OD4,0 fits 3m / EURO central adapter
92	20404411	ULTRA-liner (brown) ID2,0-OD4,0 fits 4m / EURO central adapter
92	20404511	ULTRA-liner (brown) ID2,0-OD4,0 fits 5m / EURO central adapter
N.i.	20405002	Brass spiral liner (marked blue) ID2,0-OD4,0mm L300mm fits liner OD3,9/4,0mm
N.i.	25405002	Bronze spiral liner (marked blue) ID2,5-OD4,0mm L300mm fits liner OD3,9/4,0mm
95	91905711	Nipple (brass L-30mm) fits spiral liner EURO central adapter AD3,9/4,0mm
96	91906111	Nipple fits core liner EURO central adapter AD3,9/4,0mm
97	91906131	O-ring ID3,5-W1,5mm fits core liners
N.i.	91906112	Support tube, brass ID4,4 - AD5,0 - L200mm